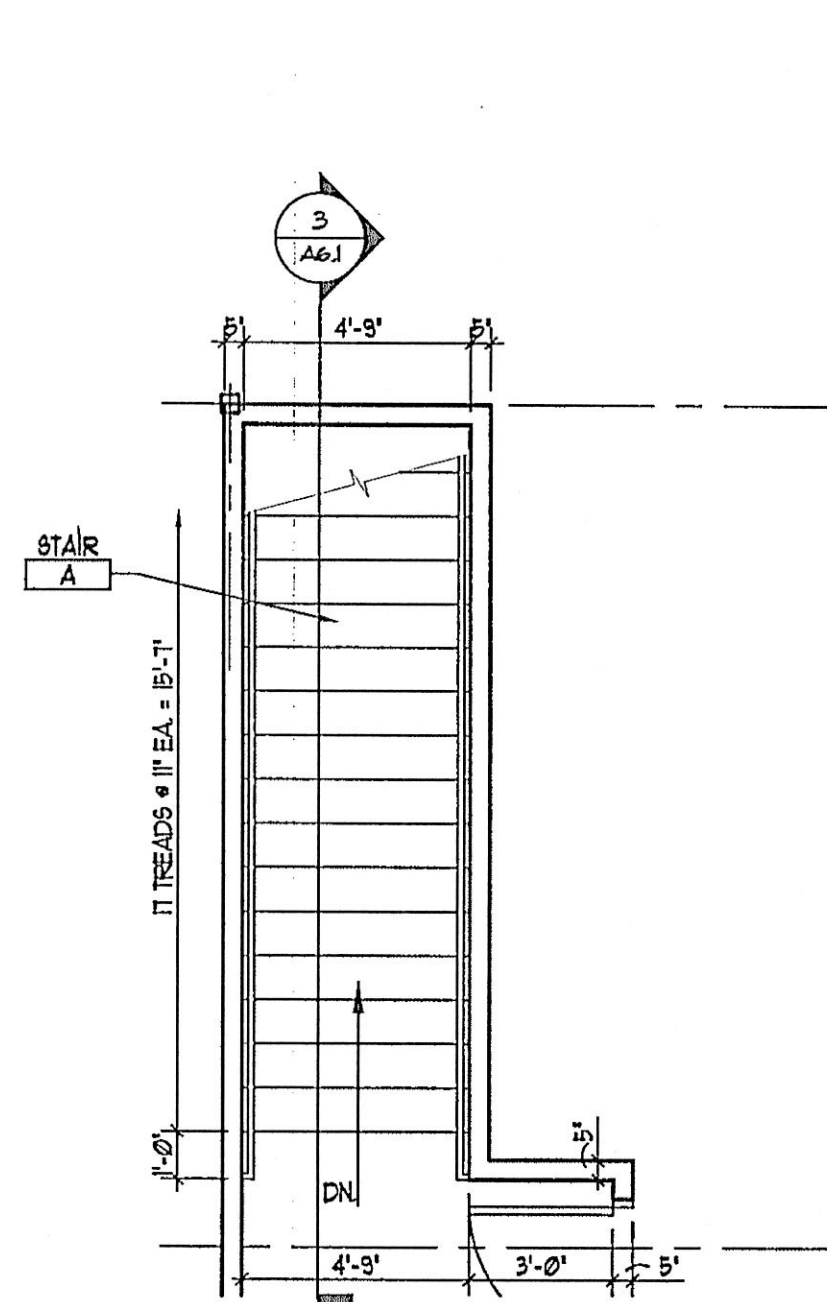
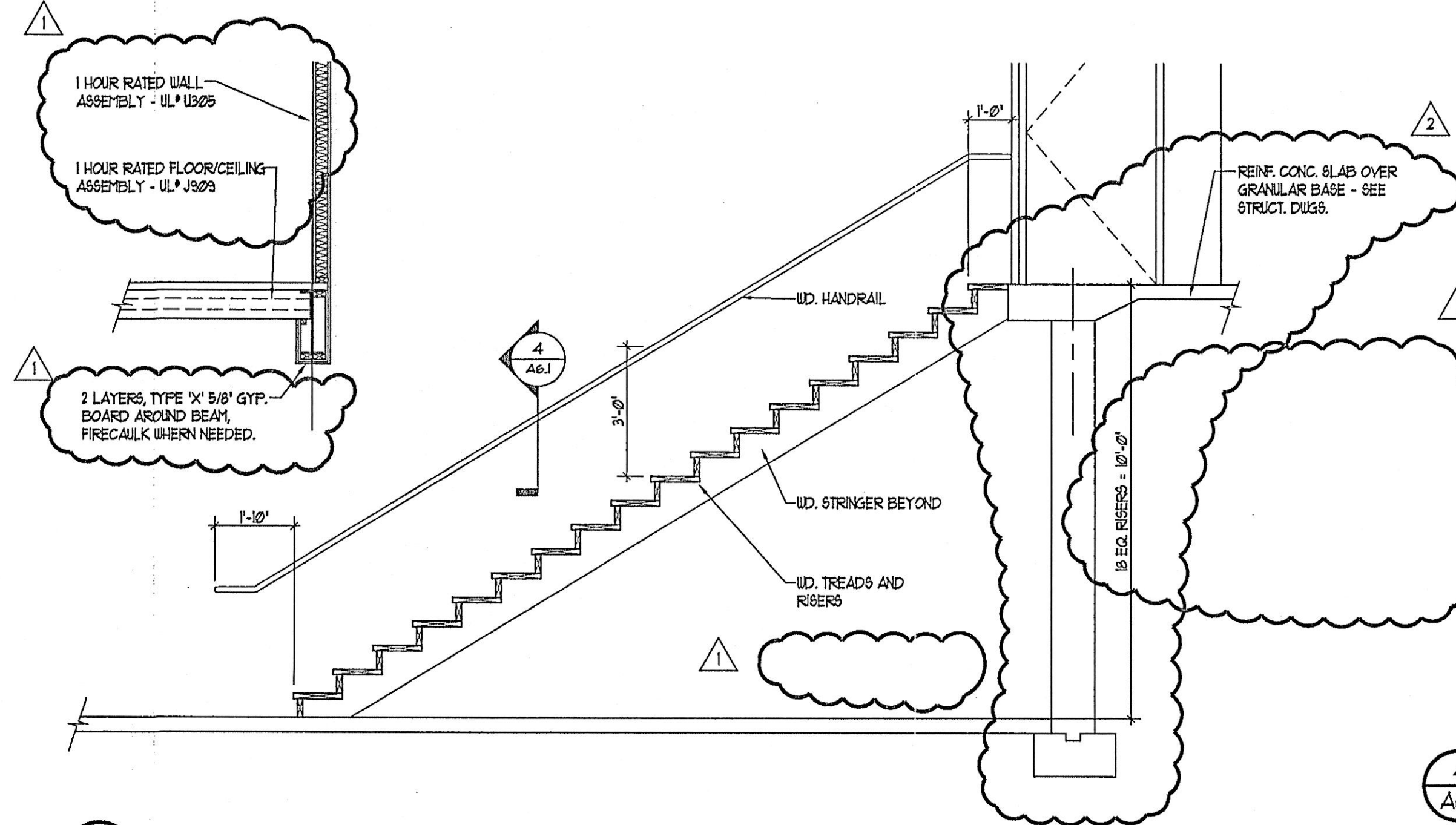


1 STAIR A PLAN - BASEMENT
A6.1 1/4" = 1'-0"

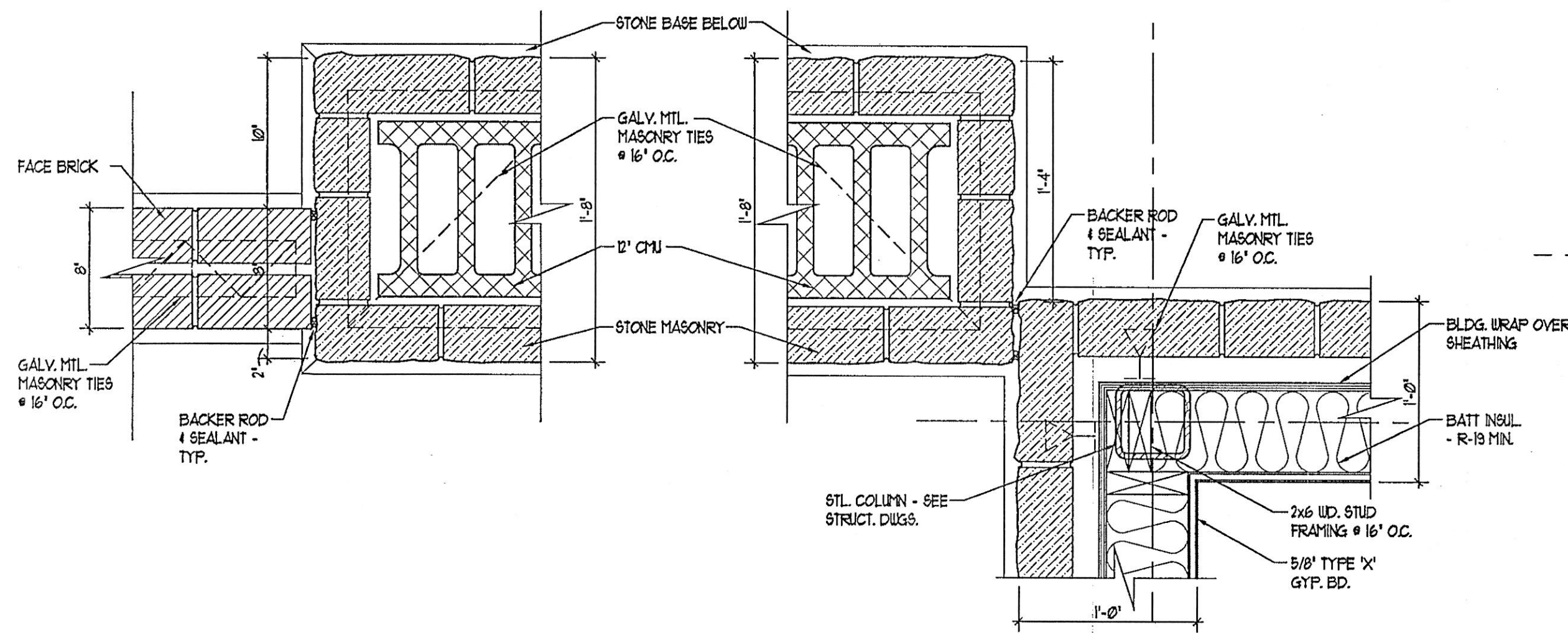


2 STAIR A PLAN - FIRST FLOOR
A6.1 1/4" = 1'-0"



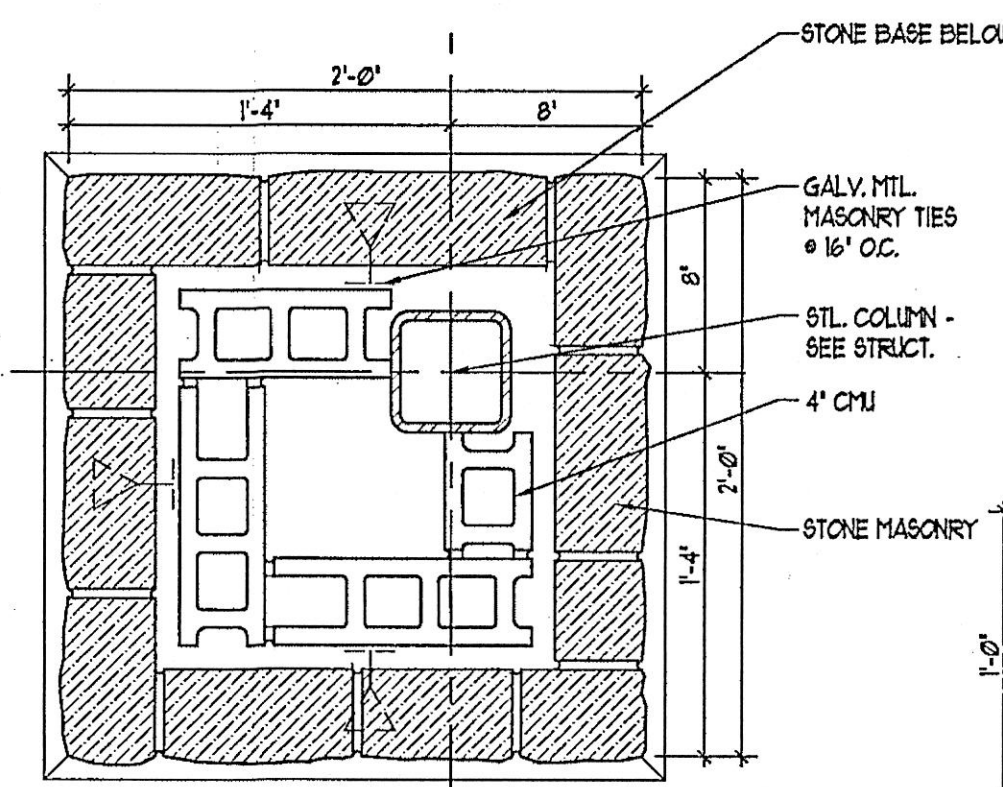
3 STAIR A SECTION
A6.1 1/4" = 1'-0"

4 STAIR A RAIL SECTION
A6.1 3/4" = 1'-0"

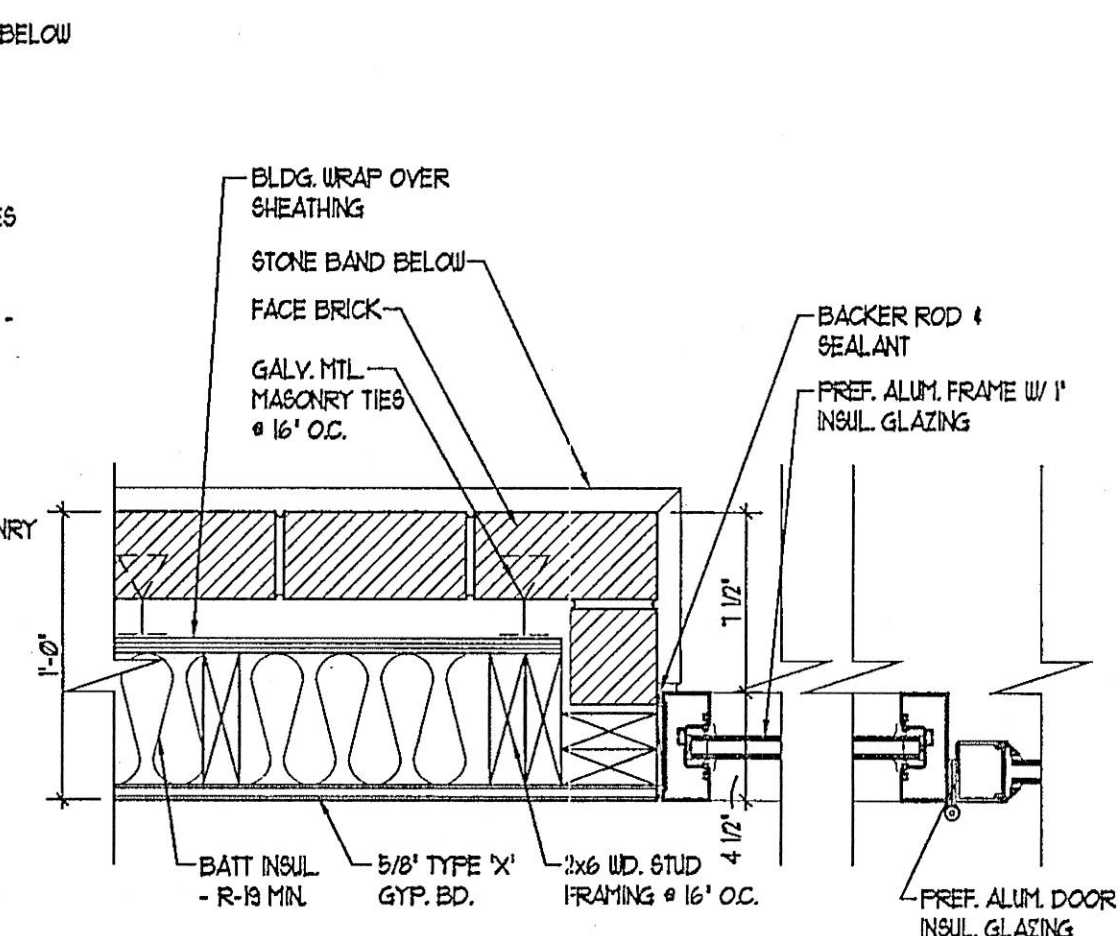


5 PLAN SECTION
A6.1 1/2" = 1'-0"

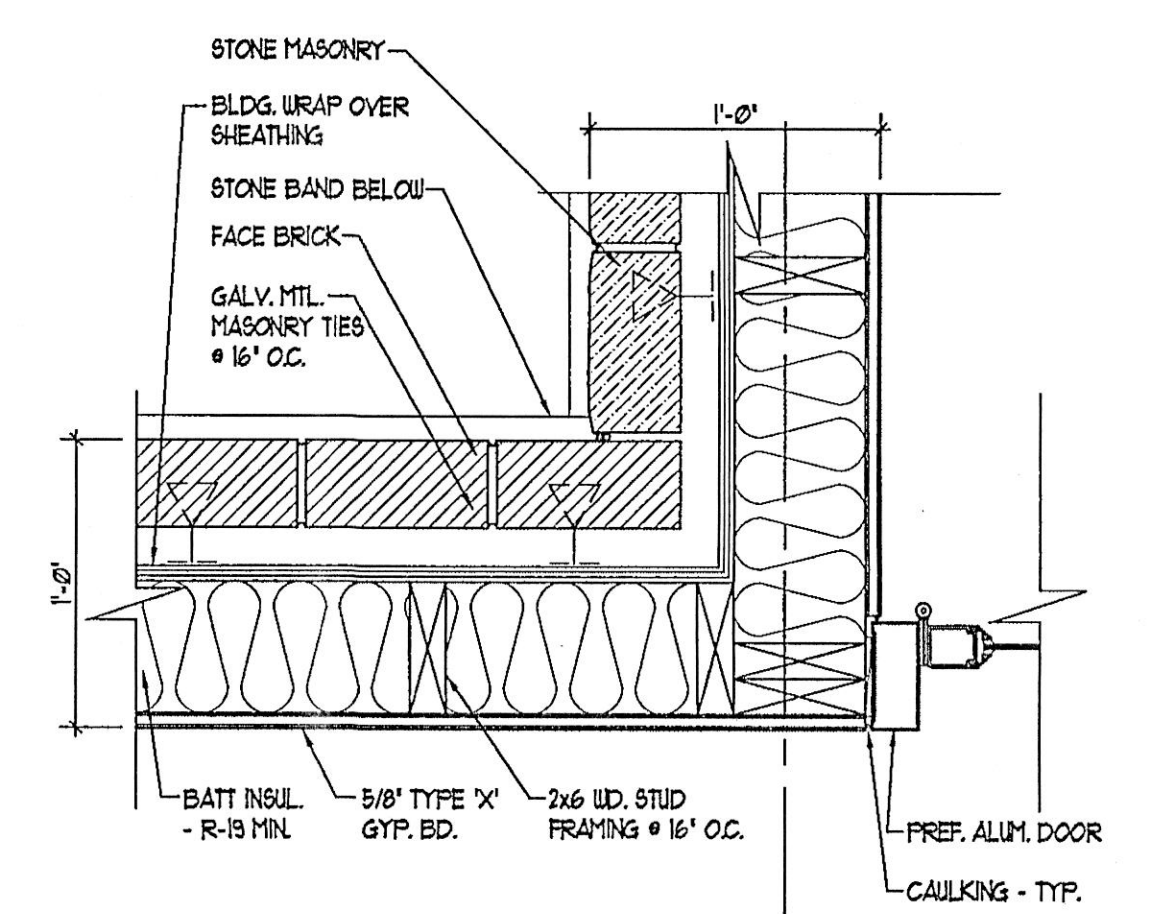
6 PLAN SECTION
A6.1 1/2" = 1'-0"



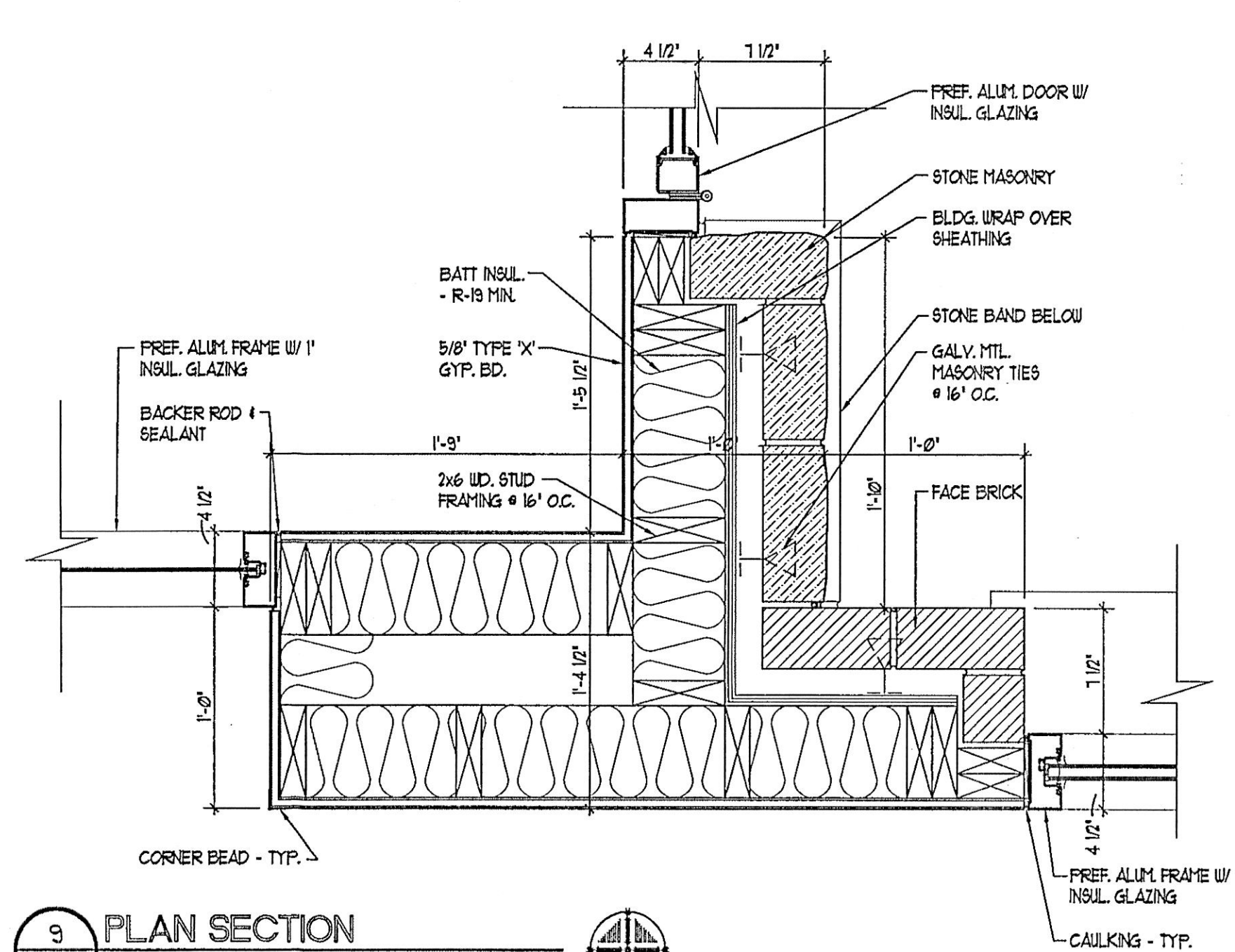
7 PLAN SECTION
A6.1 1/2" = 1'-0"



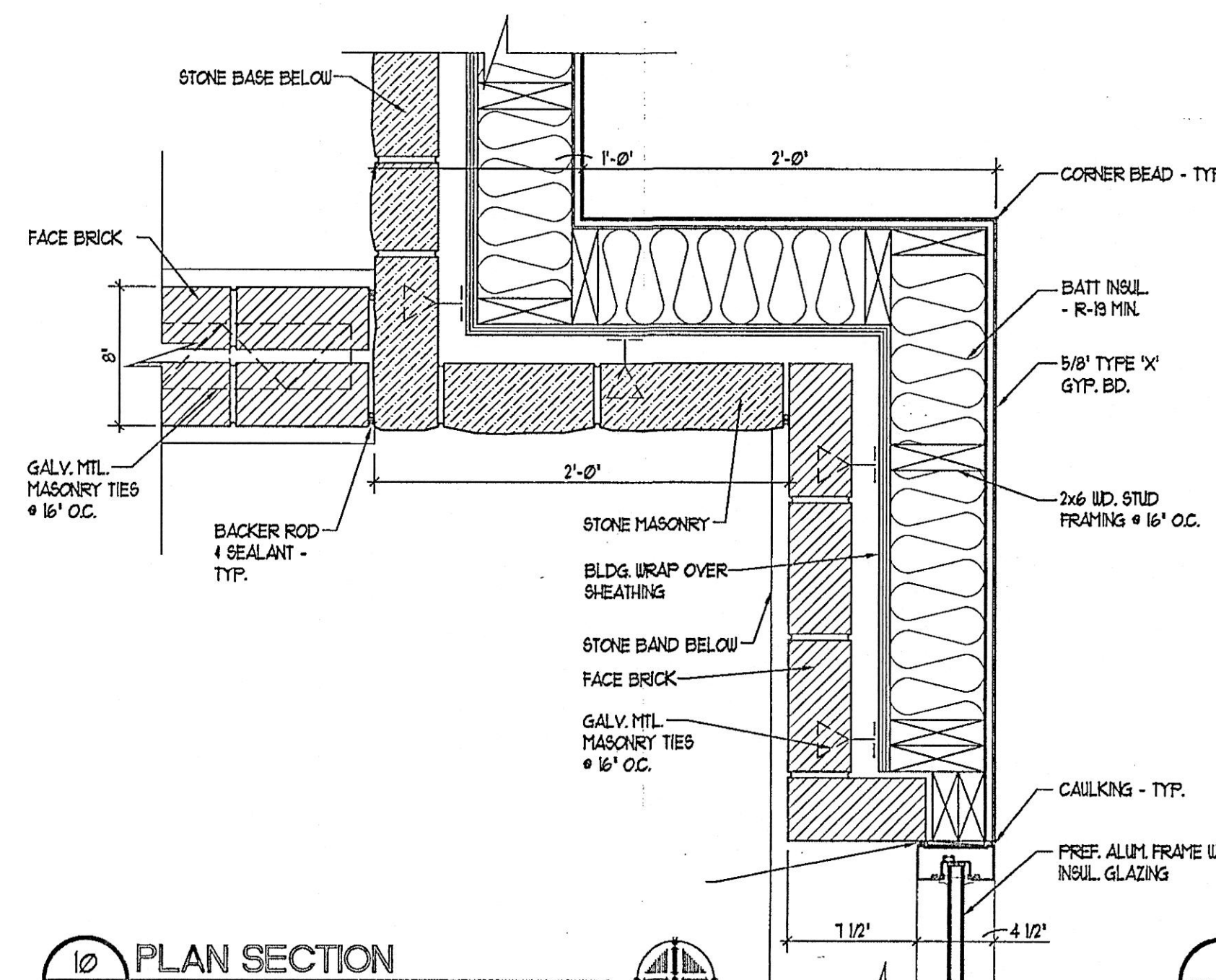
7 PLAN SECTION
A6.1 1/2" = 1'-0"



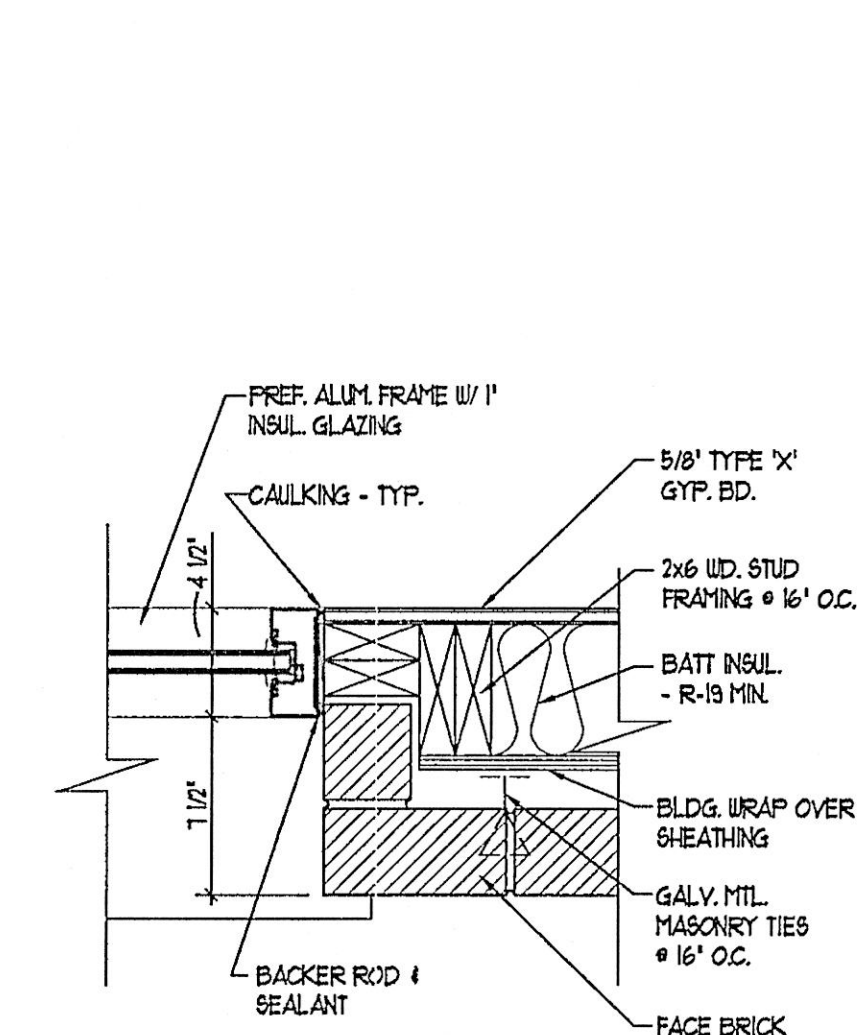
8 PLAN SECTION
A6.1 1/2" = 1'-0"



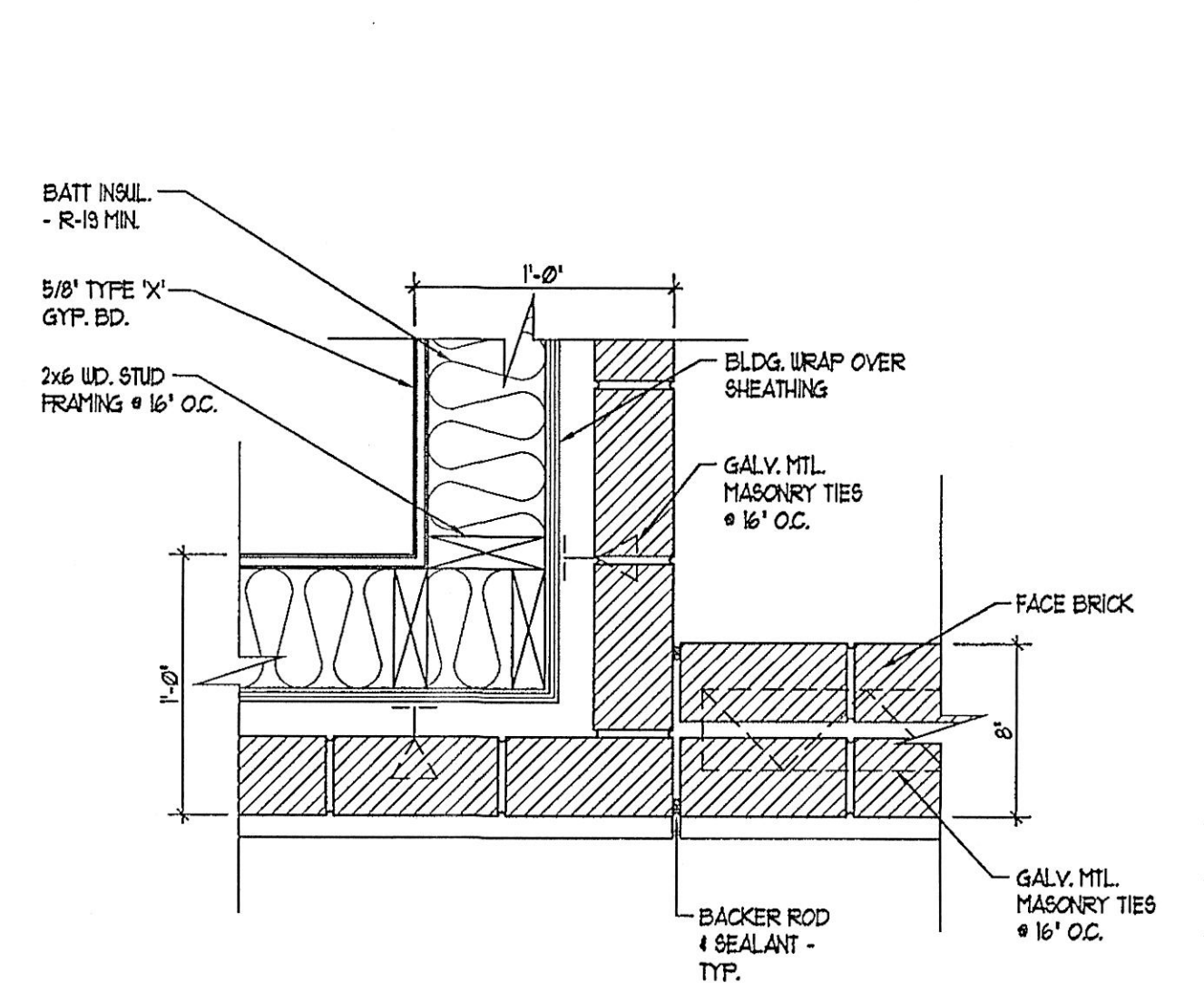
9 PLAN SECTION
A6.1 1/2" = 1'-0"



10 PLAN SECTION
A6.1 1/2" = 1'-0"



11 PLAN SECTION
A6.1 1/2" = 1'-0"



12 PLAN SECTION
A6.1 1/2" = 1'-0"